



MODEL ER32L65
Lithium Thionyl Chloride
(Li-SOCl₂) Battery

(International size reference: 1/10D, ER32L65)

ELECTRICAL CHARACTERISTICS

(Typical values for cells stored for one year or less, at +25°C)

■ **Nominal capacity** **1.00Ah**
 (At 1.0 mA, +25°C, 2.0V cut off. The capacity restored by the cell varies according to current drain, temperature and cut off voltage.)

■ **Nominal voltage** **3.6 V**

■ **Maximum recommended continuous current** **10 mA**
 (To get 50% of the nominal capacity at +25°C with 2.0V cut off. Higher currents possible, consult OmniCel)

■ **Maximum current capability** **50 mA**
Rated 1 sec. pulse capability (to 3V) **20 mA**
Pulse capability varies according to pulse characteristics (frequency and duration), temperature, cell history (storage conditions prior to usage) and the application's acceptable minimum voltage.

■ **Storage** (Recommended) **+30°C max.**
 (For more severe condition consult OmniCel)

■ **Operating temperature range** **-60°C / +85°C**
 (Operation at temperature different from ambient may lead to reduced capacity and lower voltage plateau readings.)

⚠ WARNING:

Fire, explosion and severe burn hazard. Do not recharge, crush, disassemble, heat above 212°F (100°C), incinerate, or expose contents to water. Do not solder directly to the cell, use tabbed cell instead.

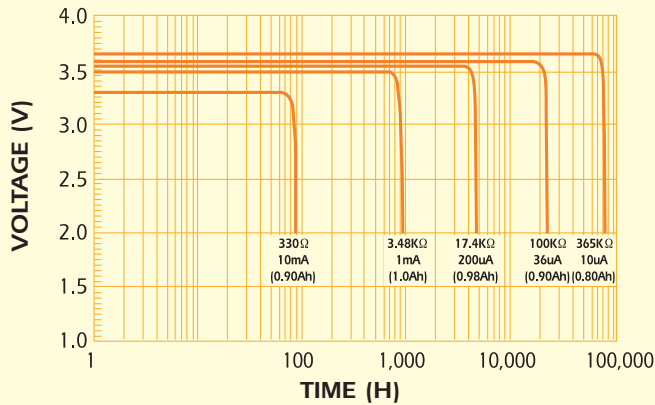
KEY FEATURES

- ✓ High and stable operating voltage
- ✓ High minimum voltage during pulsing
- ✓ Low self discharge rate (less than 1% after 1 year of storage at +25°C)
- ✓ Stainless steel container
- ✓ Hermetic glass-to-metal sealing
- ✓ Non-flammable electrolyte
- ✓ Non-restricted for transport
- ✓ Compliant with IEC 60086-4 safety standard and EN 60079 intrinsic safety standard
- ⚠ Underwriters Laboratories (UL) Component Recognition (File Number MH 28717)

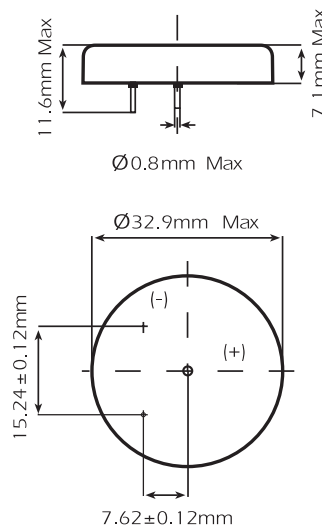
MAIN APPLICATIONS

- ✓ Utility metering
- ✓ Alarms and security devices
- ✓ Memory back-up
- ✓ Tracking systems
- ✓ Automotive electronics
- ✓ Professional electronics ... etc.

Discharge Characteristics @+25°C



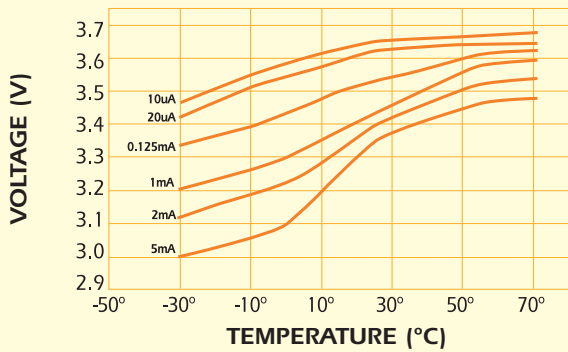
ER32L65



AVAILABLE TERMINATIONS

Suffix -/P Tinned Nickel Pins

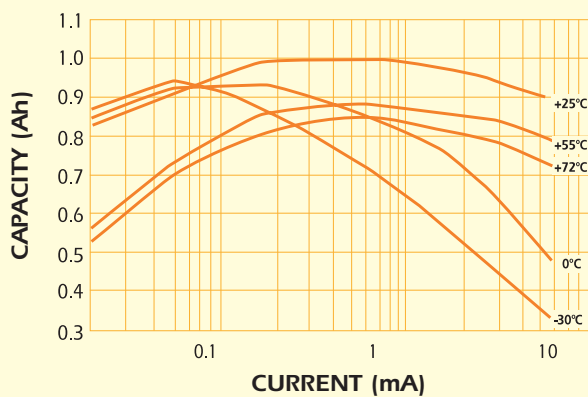
Voltage versus Current



Physical Characteristics

| | |
|-------------------|------------------|
| ■ Diameter (max) | 32.9 mm (1.295") |
| ■ Height (max) | 7.1 mm (0.256") |
| ■ Typical weight | 19 g (0.670oz) |
| ■ Lithium content | 0.25 g (0.008oz) |

Capacity versus Current



Storage Characteristics

